

END FITTING CATALOG

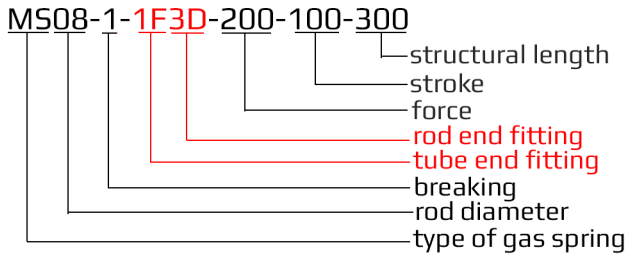


Table of contents:

Legend	2
Threads	3
Hinge eyes	5
Ball cups, ball joints.....	14
Forks	19
Special end fittings	22

Legend

Our end fittings are distinguished based on where they fit, tube end or rod end (or both). The figure below shows the interpretation of our part number:



In this catalog, you can find a table next to each end fitting, which table shows where the given end fittings fits to. The possible application indicated by an „X“ in this table. Where you can not find this „X“, there application IS NOT possible. If the end fitting has multiple variations, we used a „/“ to differentiate (ex.: M6/M8). In this case, the given end fitting is available in both version. You can find a red indicated note next to some end fittings.

The gas spring types used in the tables explained on our website:

MS - standard gas spring
<http://moliton.com/products/gas-springs/standard-gas-spring.html>

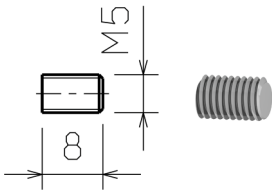
MST – console gas spring
<http://moliton.com/products/gas-springs/console-gas-spring.html>

MSB – safety locking gas spring
<http://moliton.com/products/gas-springs/safety-locking-gas-spring.html>

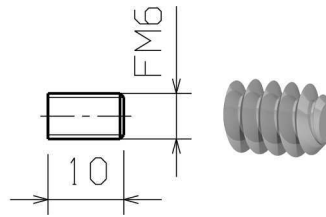
MP – spring blocking gas spring
<http://moliton.com/products/gas-springs/spring-blocking-gas-spring.html>

MKB, MKBN – rigid blocking gas spring
<http://moliton.com/products/gas-springs/rigid-blocking-gas-spring.html>

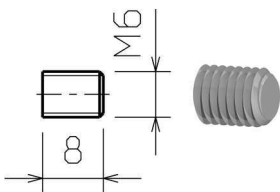
Our stainless steel end fittings and release heads for lockable gas springs are in separated catalogs!

Label: 2T


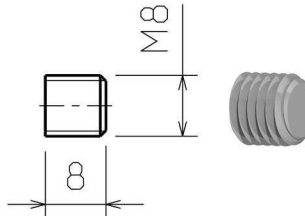
Applicable		
	To tube	To rod
M506	X	X
M508	X	X
M508/23		X
M510		
M510/28		
M514		
MST08	X	X
MST10		
MSB08		
MSB10		
MSB14		
MP10		
MP10/28		
MKB		
MKBN		

Label: 2F


Applicable		
	To tube	To rod
M506	X	X
M508	X	X
M508/23		X
M510		
M510/28		
M514		
MST08		
MST10		
MSB08		
MSB10		
MSB14		
MP10		
MP10/28		
MKB		
MKBN		

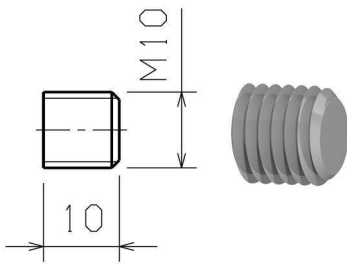
Label: 2G


Applicable		
	To tube	To rod
M506	X	X
M508	X	X
M508/23	X	X
M510	X	X
M510/28	X	X
M514	X	X
MST08	X	X
MST10	X	X
MSB08	X	
MSB10	X	
MSB14	X	
MP10	X	
MP10/28	X	
MKB		
MKBN		

Label: 2J


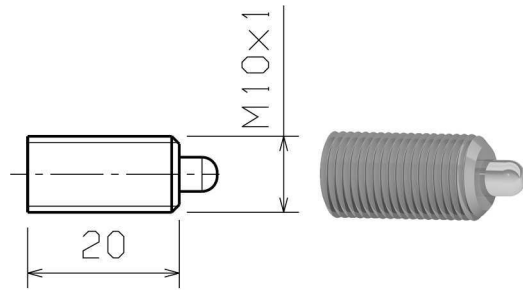
Applicable		
	To tube	To rod
M506		
M508	X	X
M508/23	X	X
M510	X	X
M510/28	X	X
M514	X	X
MST08	X	X
MST10	X	X
MSB08	X	
MSB10	X	
MSB14	X	
MP10	X	
MP10/28	X	
MKB		
MKBN		

Label: **2C**



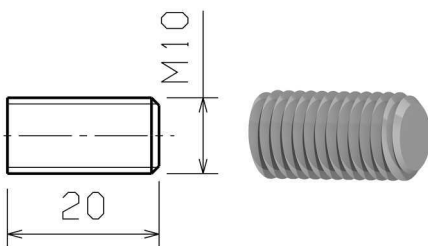
Applicable		
	To tube	To rod
MS06		
MS08		
MS08/23	X	
MS10	X	X
MS10/28	X	X
MS14	X	X
MST08		
MST10	X	X
MSB08		
MSB10	X	
MSB14	X	
MP10	X	
MP10/28	X	
MKB	X	
MKBN	X	

Label: **2R**



Applicable		
	To tube	To rod
MS06		
MS08		
MS08/23		
MS10		
MS10/28		
MS14		
MST08		
MST10		
MSB08		
MSB10		
MSB14		
MP10		X
MP10/28		X
MKB		X
MKBN		X

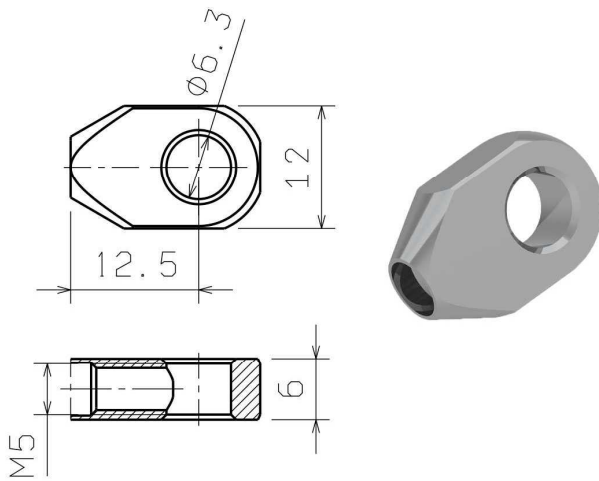
Label: **2M**



Applicable		
	To tube	To rod
MS06		
MS08		
MS08/23	X	
MS10	X	X
MS10/28	X	X
MS14	X	X
MST08		
MST10	X	X
MSB08		
MSB10	X	
MSB14	X	X
MP10	X	
MP10/28	X	
MKB		
MKBN		

Label: 1C

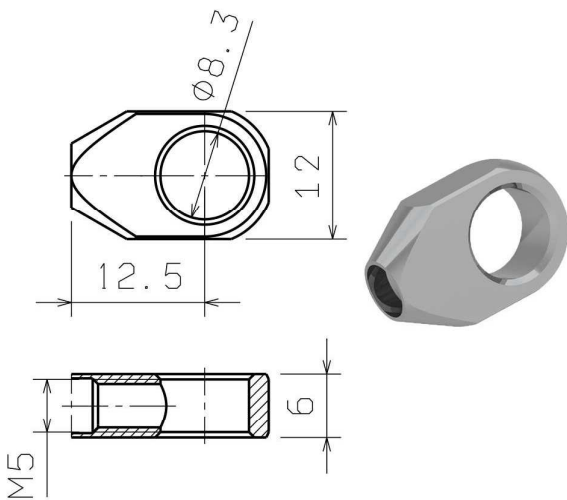
Material: steel, zinc plated



	Applicable	
	To tube	To rod
MS06	X	X
MS08	X	X
MS08/23		X
MS10		X
MS10/28		X
MS14		
MST08	X	X
MST10		X
MSB08	X	X
MSB10		X
MSB14		
MP10		
MP10/28		
MKB		
MKBN		

Label: 1D

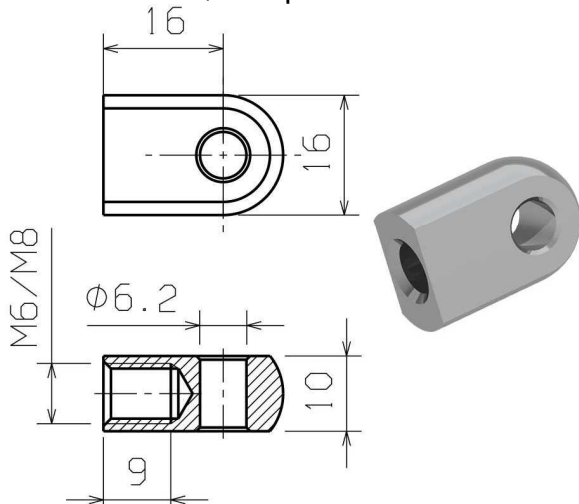
Material: steel, zinc plated



	Applicable	
	To tube	To rod
MS06	X	X
MS08	X	X
MS08/23		X
MS10		X
MS10/28		X
MS14		
MST08	X	X
MST10		X
MSB08	X	X
MSB10		X
MSB14		
MP10		
MP10/28		
MKB		
MKBN		

Label: 1E

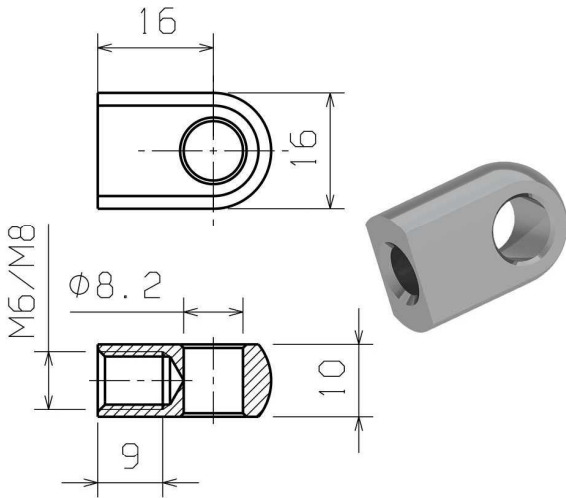
Material: steel, zinc plated



	Applicable	
	To tube	To rod
MS06	X	X
MS08	X	X
MS08/23	X	X
MS10	X	X
MS10/28	X	X
MS14	X	X
MST08	X	X
MST10	X	X
MSB08	X	X
MSB10	X	X
MSB14	X	X
MP10	X	
MP10/28	X	
MKB		
MKBN		

Label: 1F

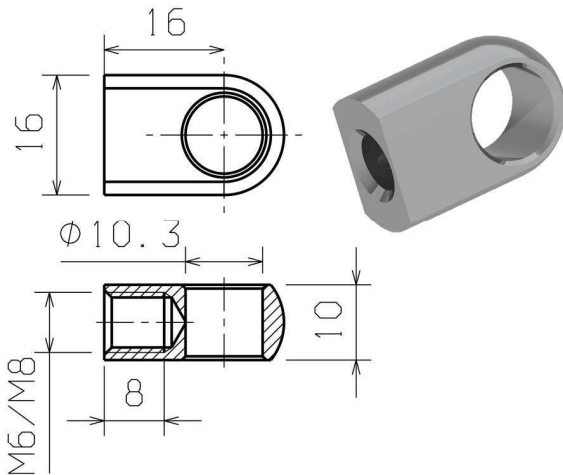
Material: steel, zinc plated



Applicable		
	To tube	To rod
MS06	X	X
MS08	X	X
MS08/23	X	X
MS10	X	X
MS10/28	X	X
MS14	X	X
MST08	X	X
MST10	X	X
MSB08	X	X
MSB10	X	X
MSB14	X	X
MP10	X	
MP10/28	X	
MKB		
MKBN		

Label: 1J

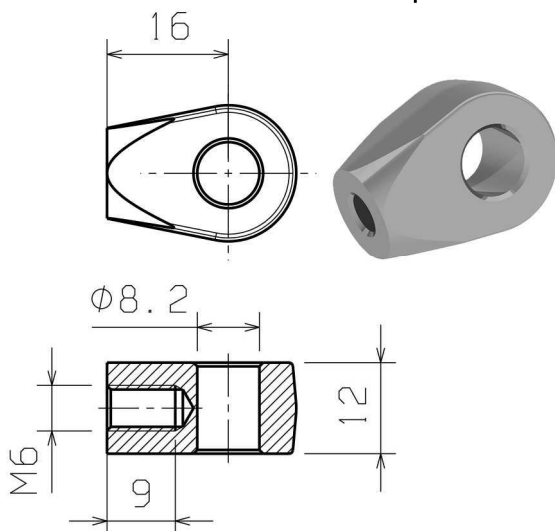
Material: steel, zinc plated



Applicable		
	To tube	To rod
MS06		
MS08	X	X
MS08/23	X	X
MS10	X	X
MS10/28	X	X
MS14	X	X
MST08	X	X
MST10	X	X
MSB08	X	X
MSB10	X	X
MSB14	X	X
MP10	X	
MP10/28	X	
MKB		
MKBN		

Label: 1K

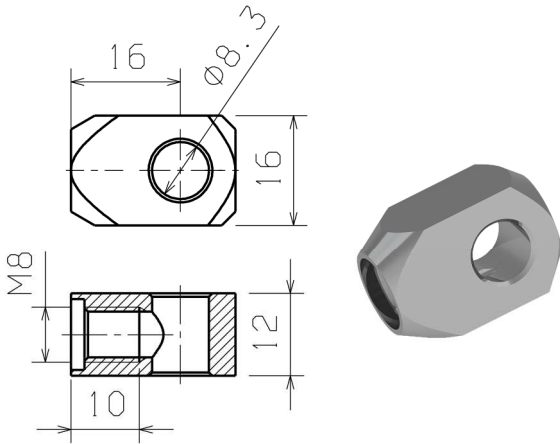
Material: casted zamak, zinc plated



Applicable		
	To tube	To rod
MS06	X	X
MS08	X	X
MS08/23	X	X
MS10		
MS10/28		
MS14		
MST08	X	X
MST10		
MSB08	X	X
MSB10		
MSB14		
MP10		
MP10/28		
MKB		
MKBN		

Label: 1M

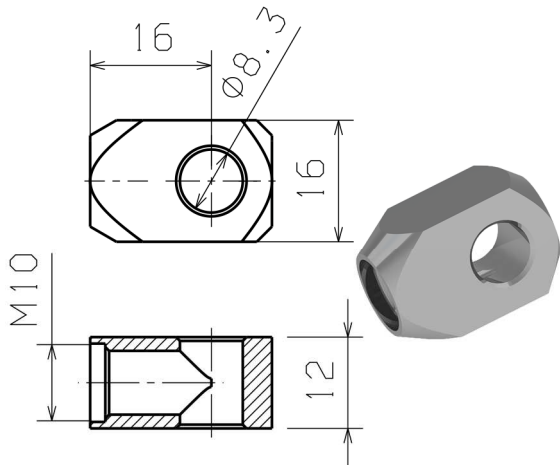
Material: steel, zinc plated



	Applicable	
	To tube	To rod
MS06		
MS08		
MS08/23		
MS10	X	X
MS10/28	X	X
MS14		
MST08		
MST10	X	X
MSB08		
MSB10	X	X
MSB14		
MP10	X	
MP10/28	X	
MKB		
MKBN		

Label: 1T

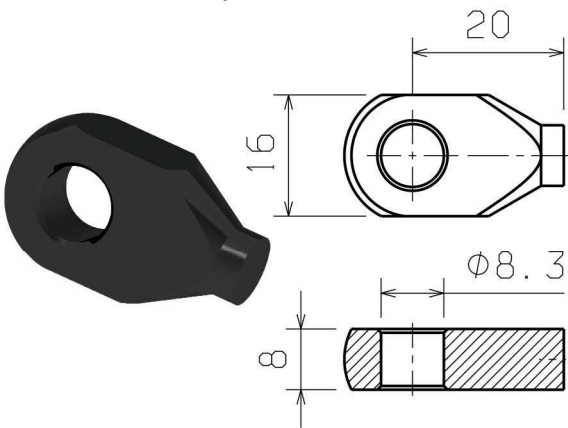
Material: steel, zinc plated



	Applicable	
	To tube	To rod
MS06		
MS08		
MS08/23		
MS10		
MS10/28	X	
MS14	X	X
MST08		
MST10		
MSB08		
MSB10		
MSB14	X	X
MP10	X	
MP10/28	X	
MKB	X	
MKBN	X	

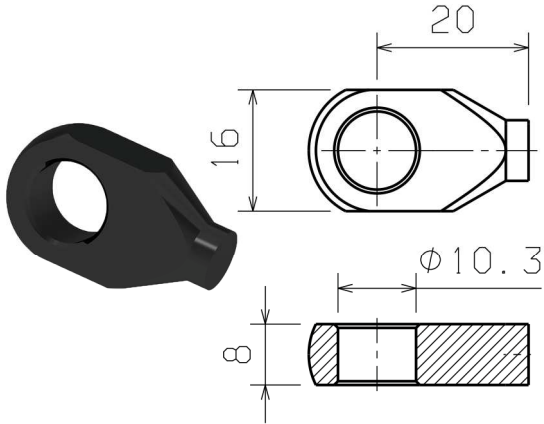
Label: 1Q (welded)

Material: steel, painted



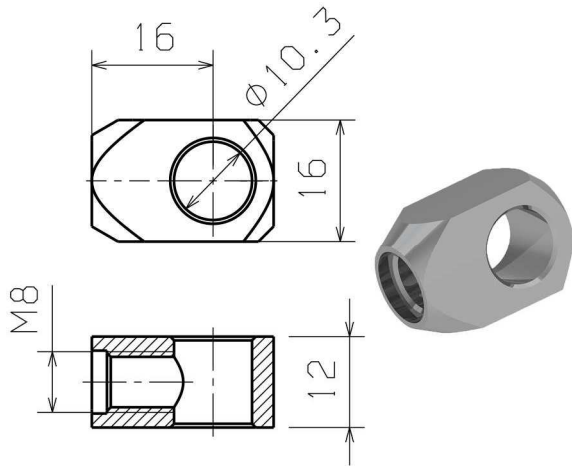
	Applicable	
	To tube	To rod
MS06		
MS08	X	
MS08/23	X	
MS10	X	
MS10/28	X	
MS14	X	
MST08		
MST10	X	
MSB08		
MSB10	X	
MSB14	X	
MP10	X	
MP10/28	X	
MKB		
MKBN		

Label: **1R** (welded)
Material: steel, painted



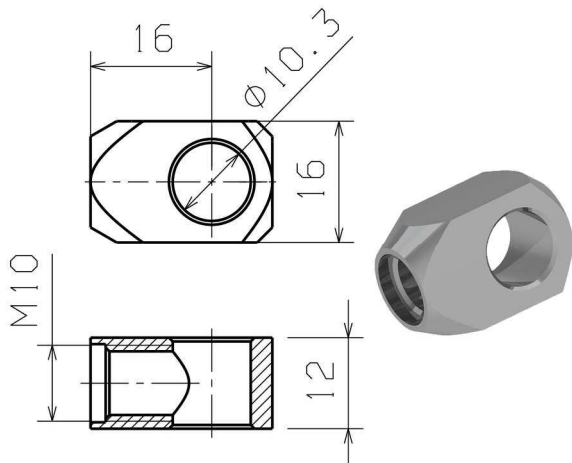
	Applicable	
	To tube	To rod
MS06		
MS08	X	
MS08/23	X	
MS10	X	
MS10/28	X	
MS14	X	
MST08		
MST10	X	
MSB08		
MSB10	X	
MSB14	X	
MP10	X	
MP10/28	X	
MKB		
MKBN		

Label: **1S**
Material: steel, zinc plated



	Applicable	
	To tube	To rod
MS06		
MS08	X	X
MS08/23	X	X
MS10	X	X
MS10/28	X	X
MS14		
MST08	X	
MST10	X	X
MSB08	X	
MSB10	X	X
MSB14		
MP10	X	
MP10/28		
MKB		
MKBN		

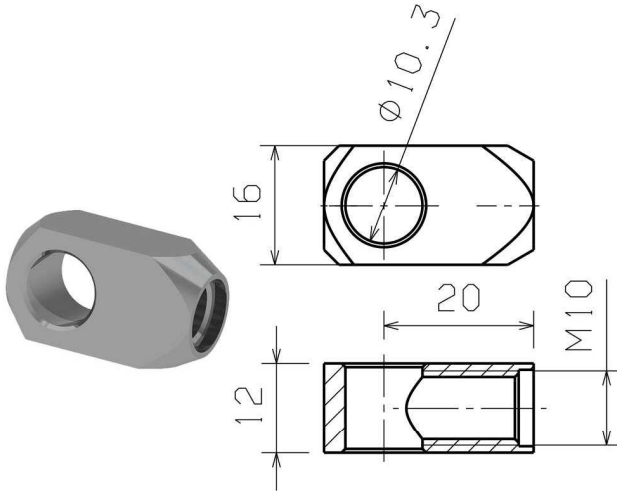
Label: **1L**
Material: steel, zinc plated



	Applicable	
	To tube	To rod
MS06		
MS08		
MS08/23		
MS10		
MS10/28	X	
MS14	X	X
MST08		
MST10		
MSB08		
MSB10		
MSB14	X	X
MP10	X	
MP10/28	X	
MKB	X	
MKBN	X	

Label: 1Z

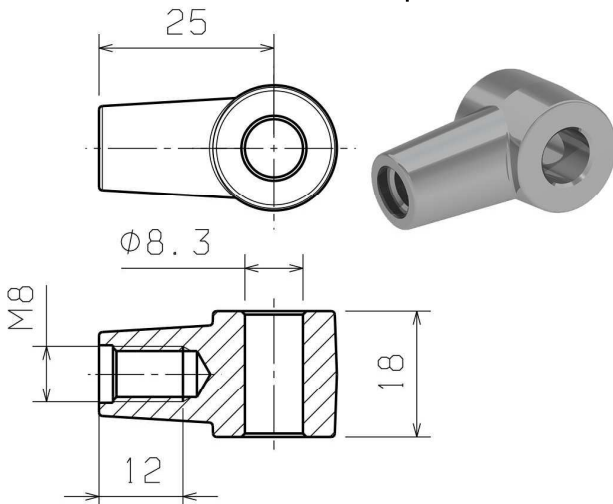
Material: steel, zinc plated



	Applicable	
	To tube	To rod
MS06		
MS08		
MS08/23		
MS10	X	X
MS10/28	X	X
MS14	X	X
MST08		
MST10	X	X
MSB08		
MSB10	X	
MSB14	X	X
MP10	X	
MP10/28	X	
MKB	X	
MKBN	X	

Label: 1X

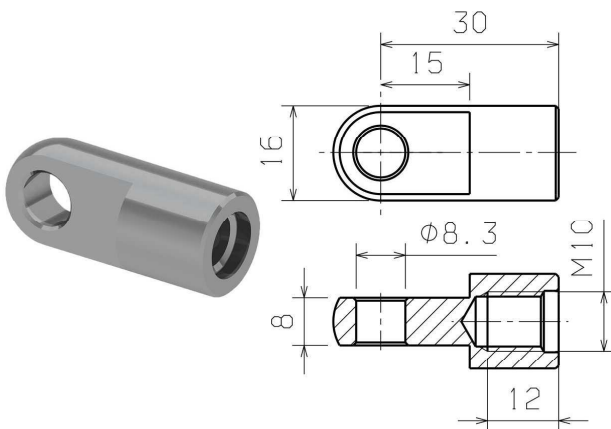
Material: casted zamak, zinc plated



	Applicable	
	To tube	To rod
MS06		
MS08	X	X
MS08/23	X	X
MS10	X	X
MS10/28	X	X
MS14	X	X
MST08	X	X
MST10	X	X
MSB08	X	
MSB10	X	X
MSB14	X	X
MP10	X	
MP10/28	X	
MKB		
MKBN		

Label: 1Y

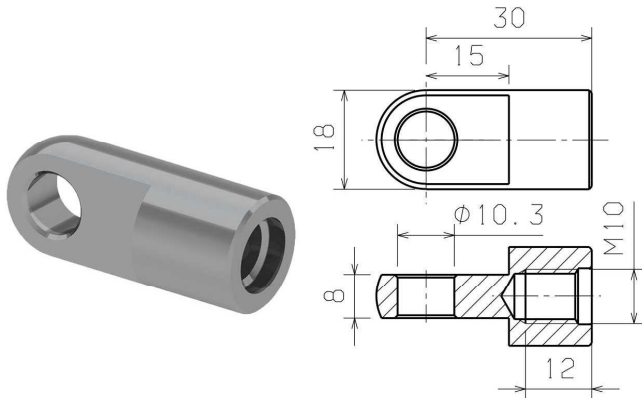
Material: steel, zinc plated



	Applicable	
	To tube	To rod
MS06		
MS08		
MS08/23	X	
MS10	X	X
MS10/28	X	X
MS14	X	X
MST08		
MST10	X	X
MSB08		
MSB10	X	
MSB14	X	X
MP10	X	
MP10/28	X	
MKB	X	
MKBN	X	

Label: 1G

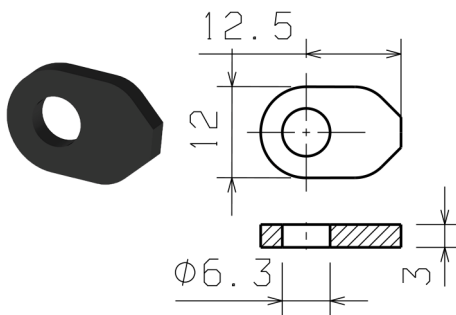
Material: steel, zinc plated



	Applicable	
	To tube	To rod
MS06		
MS08		
MS08/23	X	
MS10	X	X
MS10/28	X	X
MS14	X	X
MST08		
MST10	X	X
MSB08		
MSB10	X	
MSB14	X	X
MP10	X	
MP10/28	X	
MKB	X	
MKBN	X	

Label: 5C (welded)

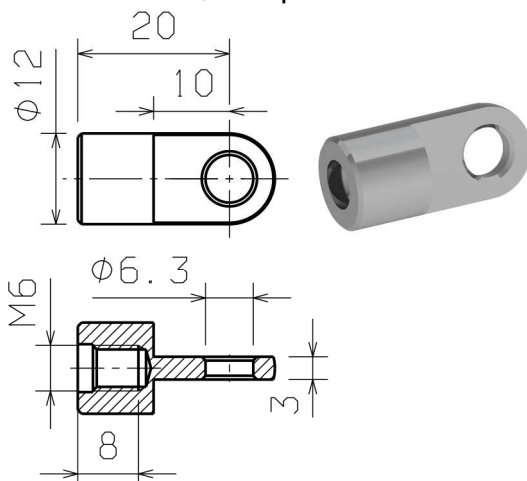
Material: steel, painted



	Applicable	
	To tube	To rod
MS06	X	
MS08	X	
MS08/23		
MS10		
MS10/28		
MS14		
MST08		
MST10		
MSB08		
MSB10		
MSB14		
MP10		
MP10/28		
MKB		
MKBN		

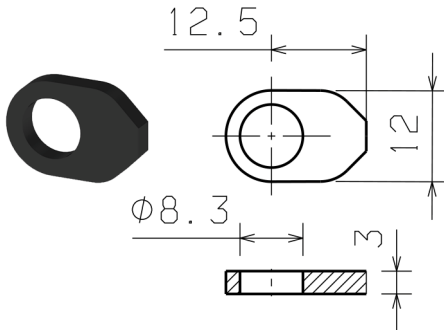
Label: 5A

Material: steel, zinc plated



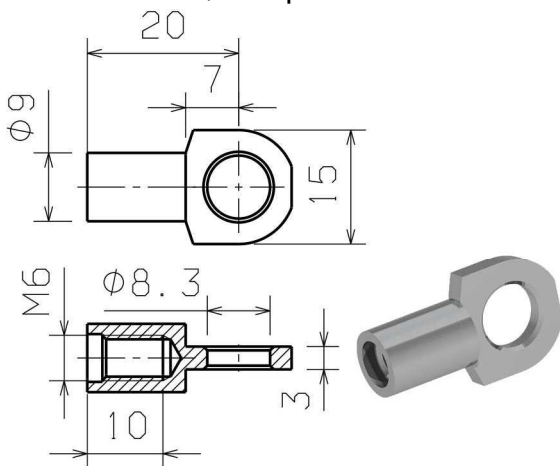
	Applicable	
	To tube	To rod
MS06		X
MS08		X
MS08/23		
MS10		
MS10/28		
MS14		
MST08		X
MST10		
MSB08		X
MSB10		
MSB14		
MP10		
MP10/28		
MKB		
MKBN		

Label: **5D** (welded)
Material: steel, painted



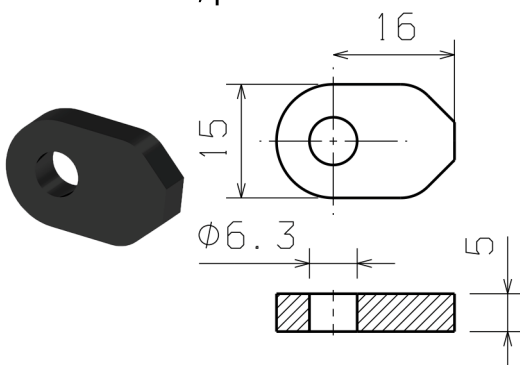
Applicable		
	To tube	To rod
MS06	X	
MS08	X	
MS08/23		
MS10		
MS10/28		
MS14		
MST08		
MST10		
MSB08		
MSB10		
MSB14		
MP10		
MP10/28		
MKB		
MKBN		

Label: **5B**
Material: steel, zinc plated



Applicable		
	To tube	To rod
MS06		X
MS08		X
MS08/23		
MS10		
MS10/28		
MS14		
MST08		X
MST10		
MSB08		X
MSB10		
MSB14		
MP10		
MP10/28		
MKB		
MKBN		

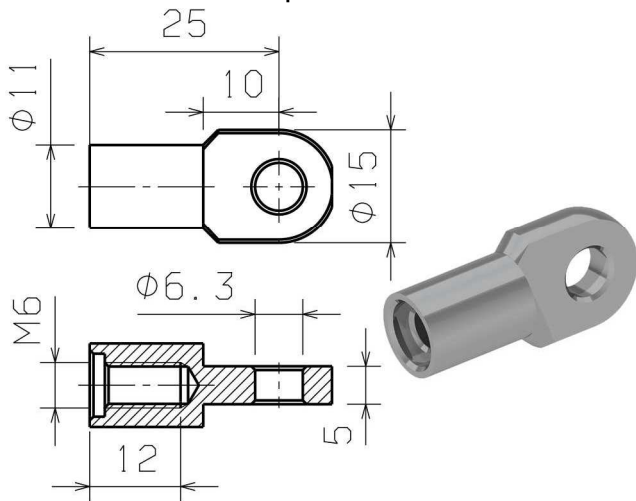
Label: **5E** (welded)
Material: steel, painted



Applicable		
	To tube	To rod
MS06		
MS08	X	
MS08/23	X	
MS10	X	
MS10/28	X	
MS14	X	
MST08	X	
MST10	X	
MSB08	X	
MSB10	X	
MSB14	X	
MP10	X	
MP10/28	X	
MKB		
MKBN		

Label: 5E

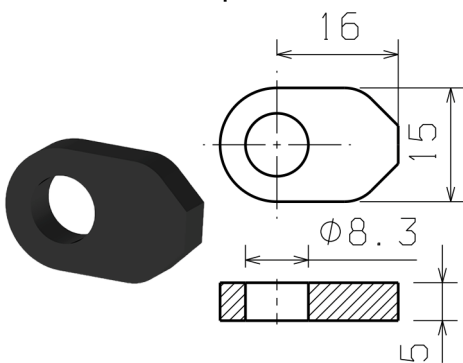
Material: steel, zinc plated



	Applicable	
	To tube	To rod
MS06		X
MS08		X
MS08/23		X
MS10		X
MS10/28		X
MS14		X
MST08		X
MST10		X
MSB08		X
MSB10		X
MSB14		X
MP10		
MP10/28		
MKB		
MKBN		

Label: 5F (welded)

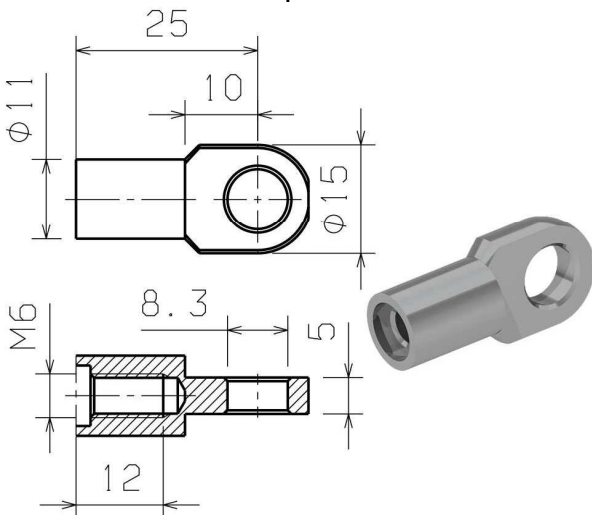
Material: steel, painted



	Applicable	
	To tube	To rod
MS06		
MS08	X	
MS08/23	X	
MS10	X	
MS10/28	X	
MS14	X	
MST08	X	
MST10	X	
MSB08	X	
MSB10	X	
MSB14	X	
MP10	X	
MP10/28	X	
MKB		
MKBN		

Label: 5F

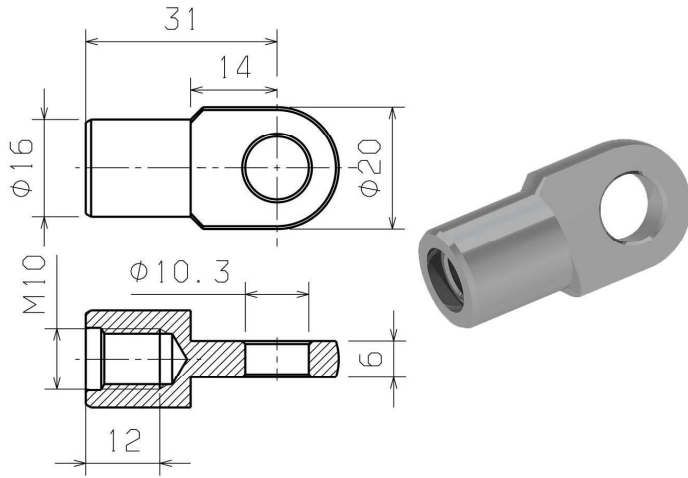
Material: steel, zinc plated



	Applicable	
	To tube	To rod
MS06		X
MS08		X
MS08/23		X
MS10		X
MS10/28		X
MS14		X
MST08		X
MST10		X
MSB08		X
MSB10		X
MSB14		X
MP10		
MP10/28		
MKB		
MKBN		

Label: **5L**

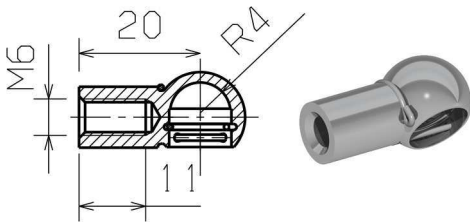
Material: steel, zinc plated



Applicable		
	To tube	To rod
MS06		
MS08		
MS08/23	X	
MS10	X	X
MS10/28	X	X
MS14	X	X
MST08		
MST10	X	X
MSB08		
MSB10	X	
MSB14	X	X
MP10	X	
MP10/28	X	
MKB	X	
MKBN	X	

Label: 6E

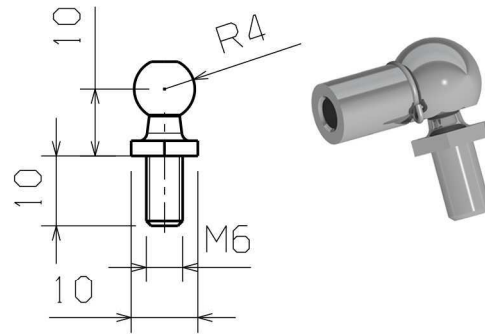
Material: steel, zinc plated



Applicable		
	To tube	To rod
M506	X	X
M508	X	X
M508/23		
M510		
M510/28		
M514		
MST08	X	X
MST10		
MSB08	X	X
MSB10		
MSB14		
MP10		
MP10/28		
MKB		
MKBN		

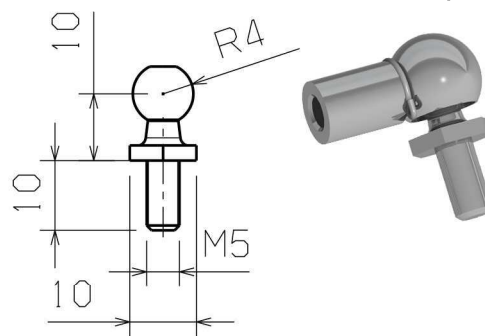
Label: 6F (6E + AS08/M6 bolt)

Material of the bolt: steel, zinc plated



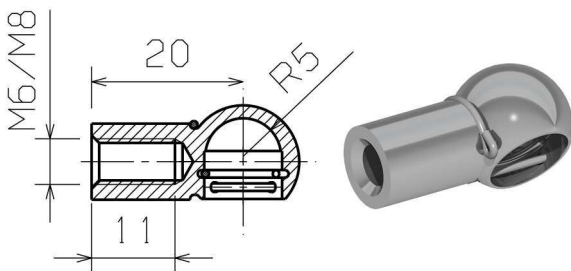
Label: 4G (6E + AS08/M5 bolt)

Material of the bolt: steel, zinc plated



Label: 6C

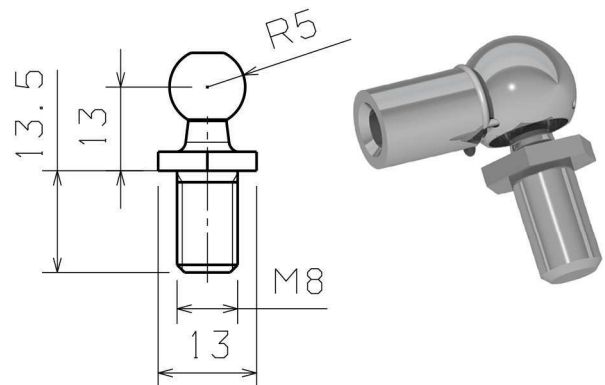
Material: steel, zinc plated



Applicable		
	To tube	To rod
M506	X	X
M508	X	X
M508/23	X	X
M510	X	X
M510/28		
M514		
MST08	X	X
MST10	X	X
MSB08	X	X
MSB10	X	X
MSB14		
MP10	X	
MP10/28		
MKB		
MKBN		

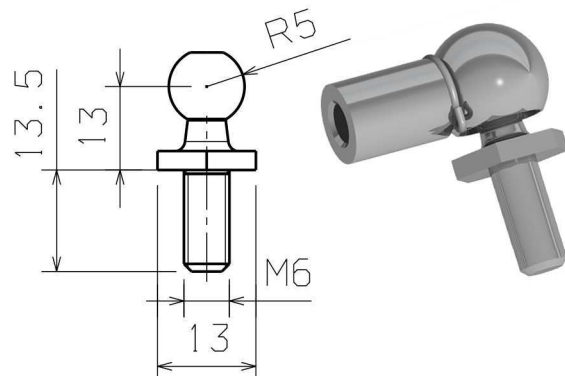
Label: 6D (6C + AS10/M8 bolt)

Material of the bolt: steel, zinc plated



Label: 6W (6C + AS10/M6 bolt)

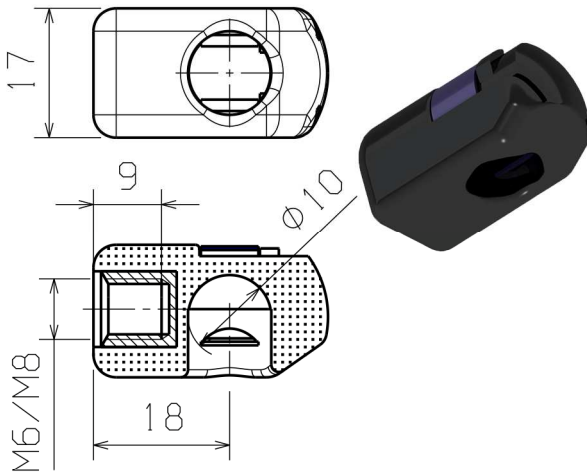
Material of the bolt: steel, zinc plated



Label: 60

Material: plastic (with steel safety clip)

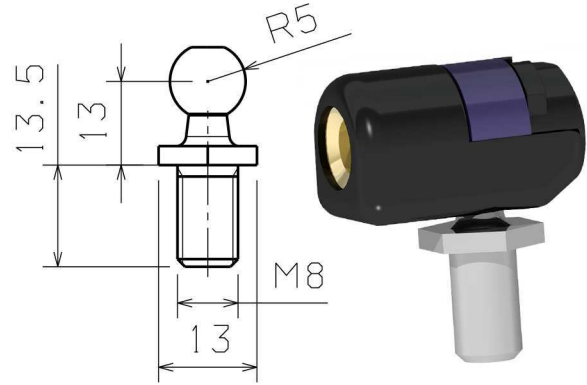
Max. force: 800N



Applicable		
	To tube	To rod
M506	X	X
M508	X	X
M508/23	X	X
M510	X	X
M510/28		
M514		
MST08	X	X
MST10	X	X
MSB08	X	X
MSB10	X	X
MSB14		
MP10	X	
MP10/28		
MKB		
MKBN		

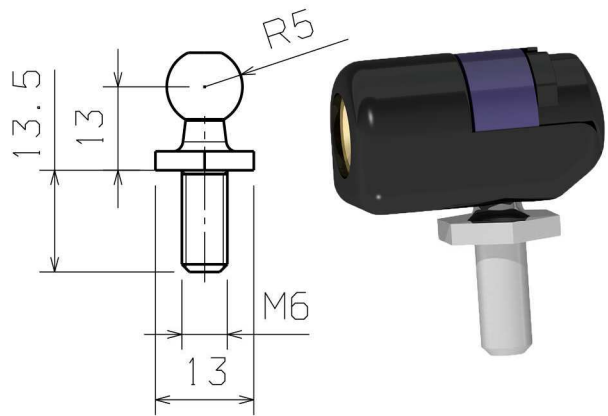
Label: 6P (60 + A510/M8 bolt)

Material of the bolt: steel, zinc plated



Label: 6X (60 + A510/M6 bolt)

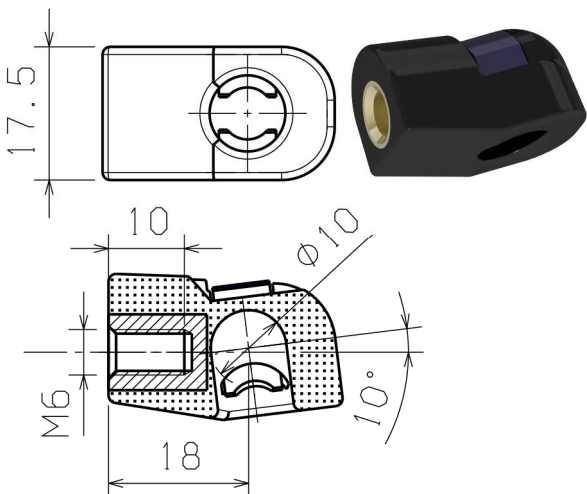
Material of the bolt: steel, zinc plated



Label: 6R

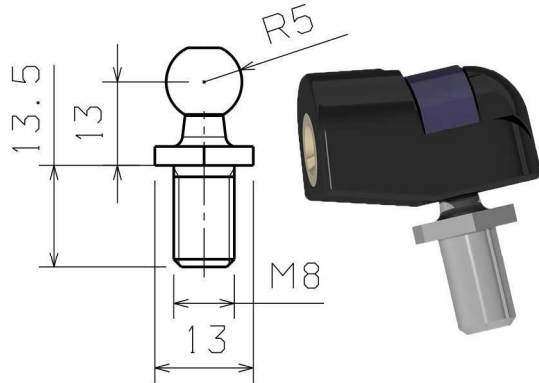
Material: plastic (with steel safety clip)

Max. force: 800N



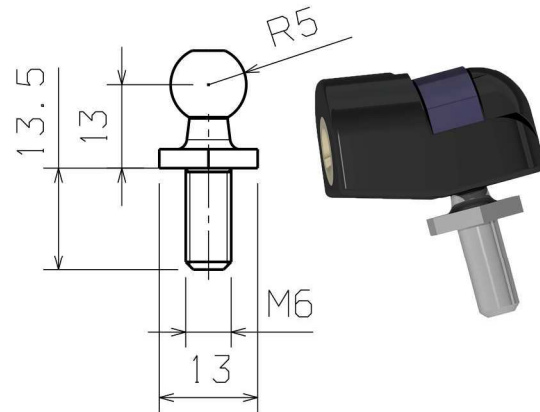
Label: 6S (6R + A510/M8 bolt)

Material of the bolt: steel, zinc plated

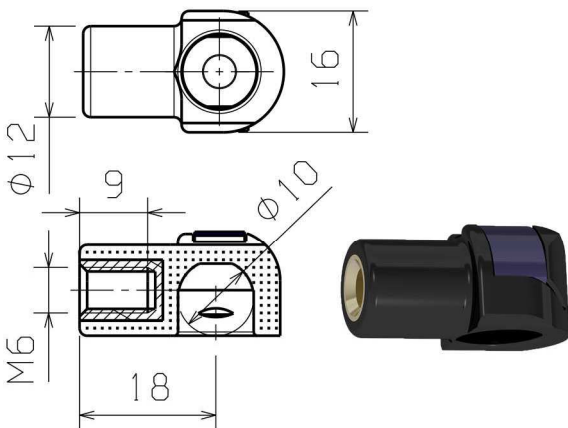


Applicable		
	To tube	To rod
M506	X	X
M508	X	X
M508/23		
M510		
M510/28		
M514		
MST08	X	X
MST10		
MSB08	X	X
MSB10		
MSB14		
MP10		
MP10/28		
MKB		
MKBN		

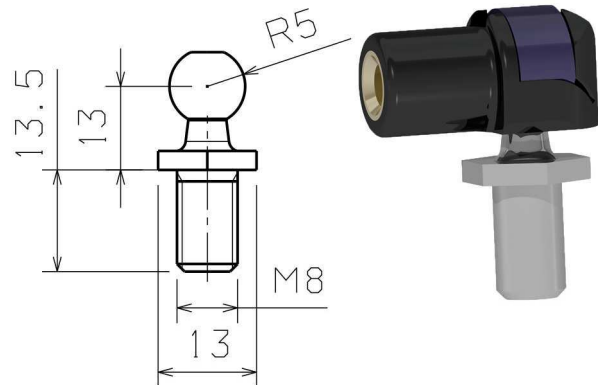
Label: **4P** (6R + A510/M6 bolt)
 Material of the bolt: steel, zinc plated



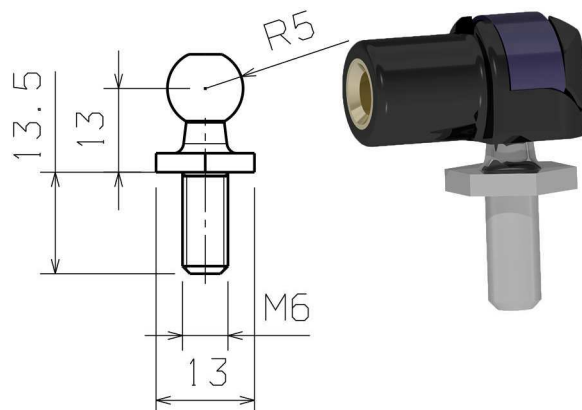
Label: **6K**
 Material: plastic (with steel safety clip)
 Max. force: 400N



Label: **6L** (6K + A510/M8 bolt)
 Material of the bolt: steel, zinc plated



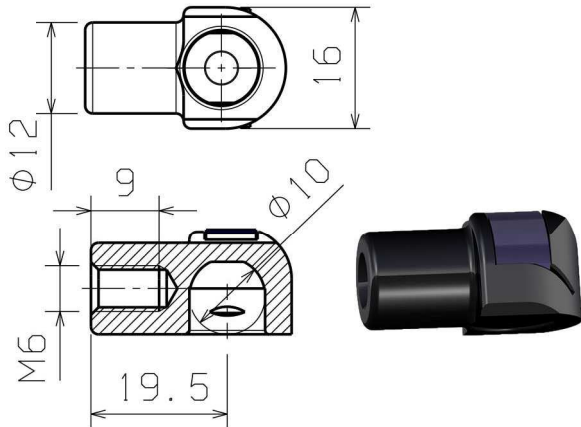
Label: **6V** (6K + A510/M6 bolt)
 Material of the bolt: steel, zinc plated



Applicable		
	To tube	To rod
M506	X	X
M508	X	X
M508/23		
M510		
M510/28		
M514		
MST08	X	X
MST10		
MSB08	X	X
MSB10		
MSB14		
MP10		
MP10/28		
MKB		
MKBN		

Label: 6Z

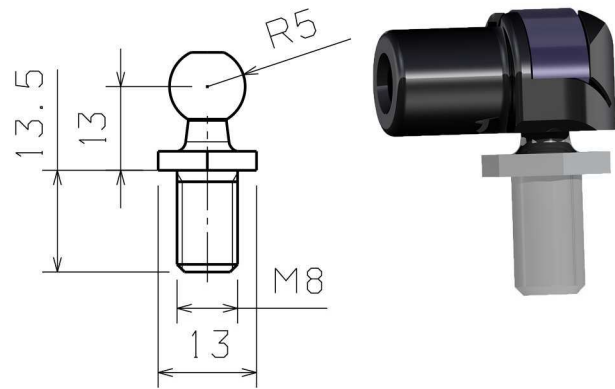
Material: zamak, zinc plated (passivated)



Applicable		
	To tube	To rod
M506	X	X
M508	X	X
M508/23	X	X
M510	X	X
M510/28		
M514		
MST08	X	X
MST10	X	X
MSB08	X	X
MSB10	X	
MSB14		
MP10	X	
MP10/28		
MKB		
MKBN		

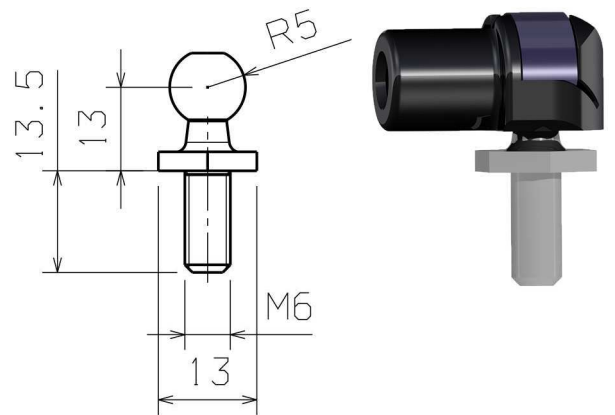
Label: 6Y (6Z + A510/M8 bolt)

Material of the bolt: steel, zinc plated



Label: 40 (6Z + A510/M6 bolt)

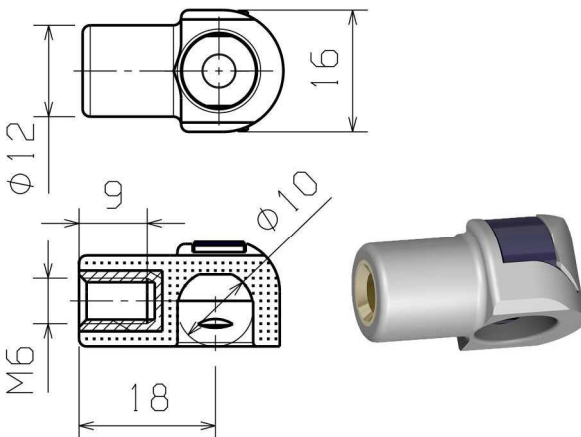
Material of the bolt: steel, zinc plated



Label: 6M

Material: plastic (gray colour, with steel safety clip)

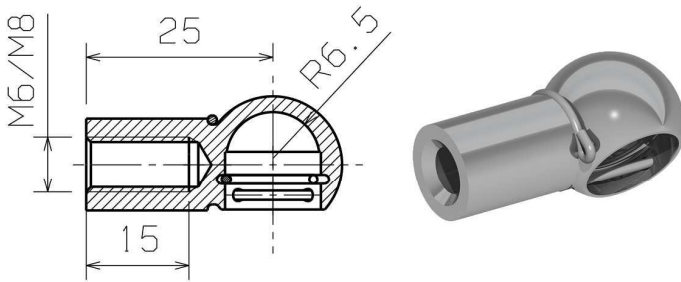
Max. force: 400N



Applicable		
	To tube	To rod
M506	X	X
M508	X	X
M508/23		
M510		
M510/28		
M514		
MST08	X	X
MST10		
MSB08	X	X
MSB10		
MSB14		
MP10		
MP10/28		
MKB		
MKBN		

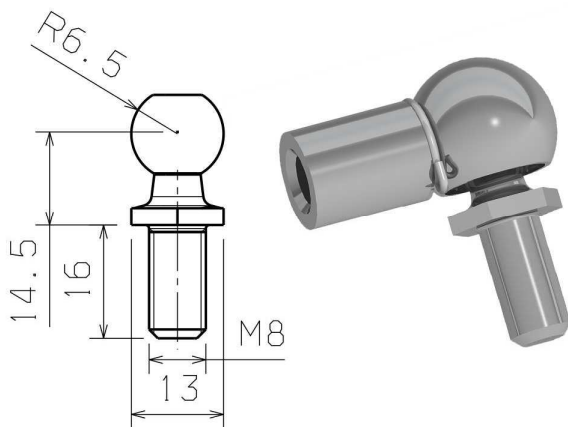
Label: 4A

Anyag: steel, zinc plated



Label: 4B (4A + AS13/M8 bolt)

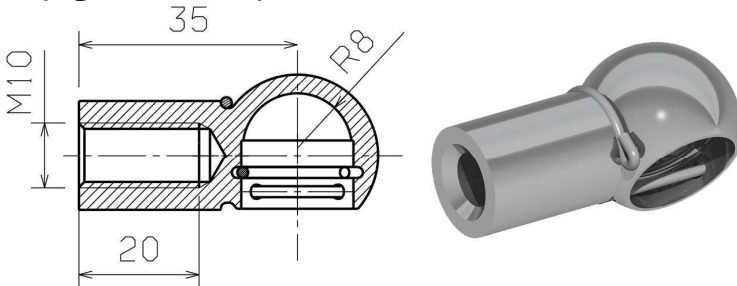
Material of the bolt: steel, zinc plated



	Applicable	
	To tube	To rod
MS06		
MS08	X	X
MS08/23	X	X
MS10	X	X
MS10/28	X	X
MS14	X	X
MST08	X	X
MST10	X	X
MSB08	X	X
MSB10	X	X
MSB14	X	
MP10	X	
MP10/28	X	
MKB		
MKBN		

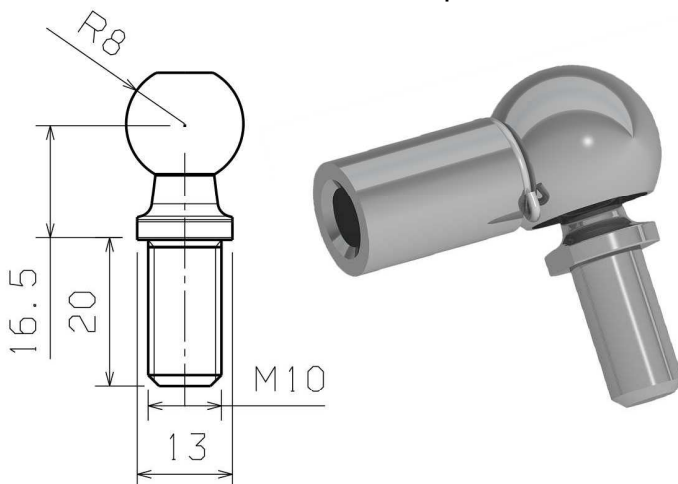
Label: 4E

Anyag: steel, zinc plated



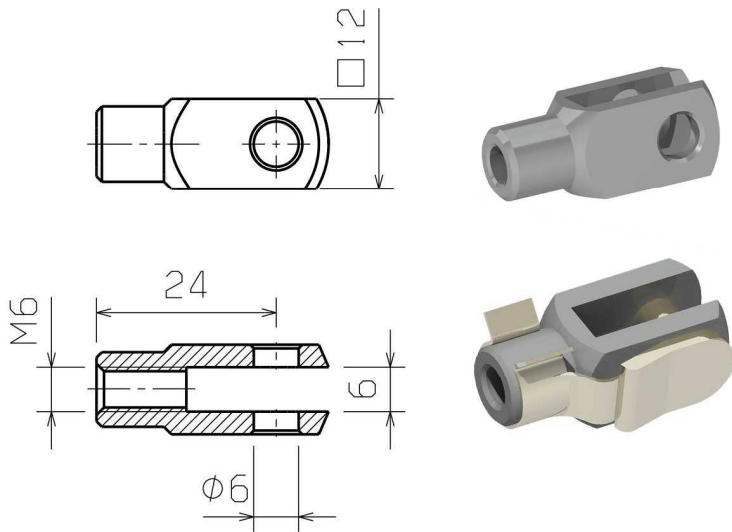
Label: 4F (4E + AS16/M10 bolt)

Material of the bolt: steel, zinc plated



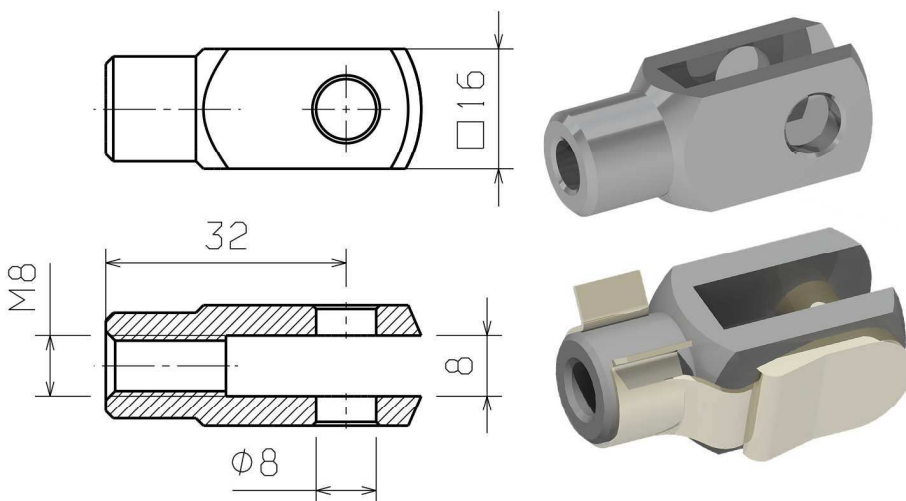
	Applicable	
	To tube	To rod
MS06		
MS08		
MS08/23	X	
MS10	X	X
MS10/28	X	X
MS14	X	X
MST08		
MST10	X	X
MSB08		
MSB10	X	
MSB14	X	X
MP10	X	
MP10/28	X	
MKB	X	
MKBN	X	

Label: **3A** (with pin = **3B**)
 Material: acél, zinc plated



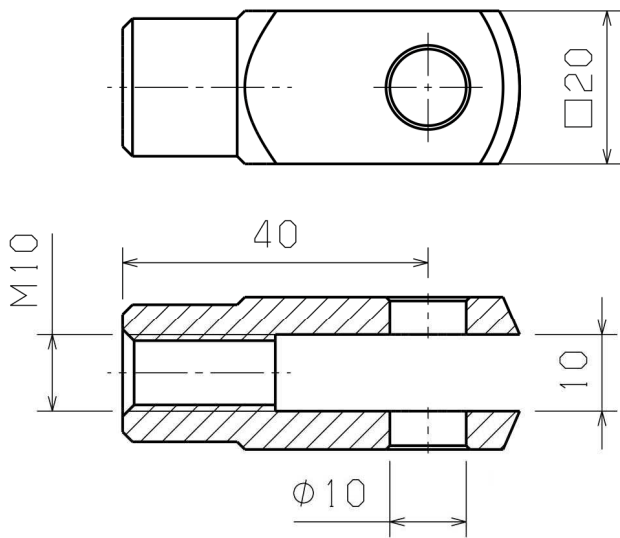
	Applicable	
	To tube	To rod
M506	X	X
M508	X	X
M508/23	X	X
M510	X	X
M510/28	X	X
M514	X	X
MST08	X	X
MST10	X	X
MSB08	X	X
MSB10	X	
MSB14	X	
MP10	X	
MP10/28	X	
MKB		
MKBN		

Label: **3C** (with pin = **3D**)
 Material: casted zamak, zinc plated

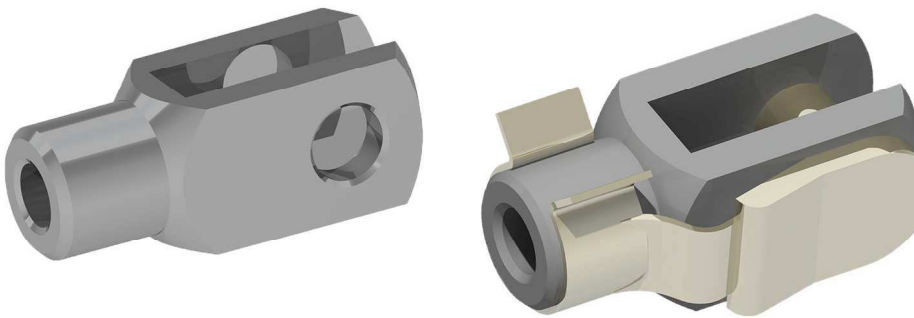


	Applicable	
	To tube	To rod
M506		
M508	X	X
M508/23	X	X
M510	X	X
M510/28	X	X
M514	X	X
MST08	X	X
MST10	X	X
MSB08	X	
MSB10	X	X
MSB14	X	
MP10	X	
MP10/28	X	
MKB		
MKBN		

Label: **3E** (with pin = **3F**)
 Material: casted zamak, zinc plated

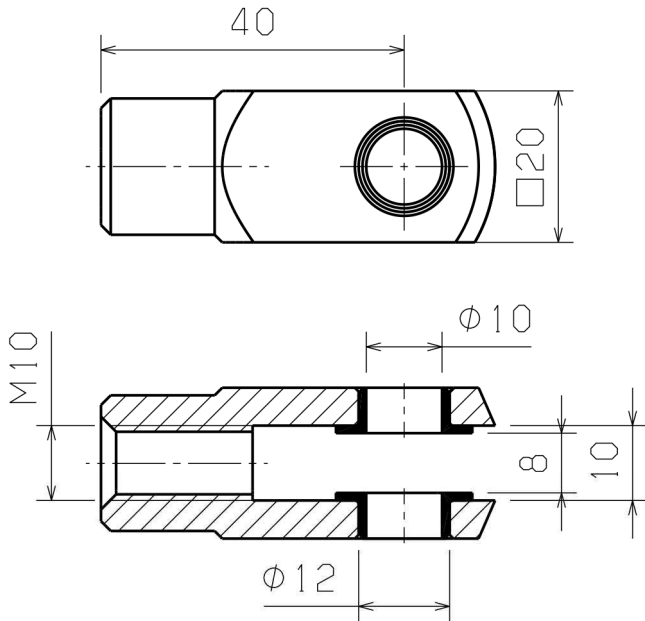


	Applicable	
	To tube	To rod
MS06		
MS08		
MS08/23	X	
MS10	X	X
MS10/28	X	X
MS14	X	X
MST08		
MST10	X	X
MSB08		
MSB10	X	
MSB14	X	X
MP10	X	
MP10/28	X	
MKB	X	
MKBN	X	

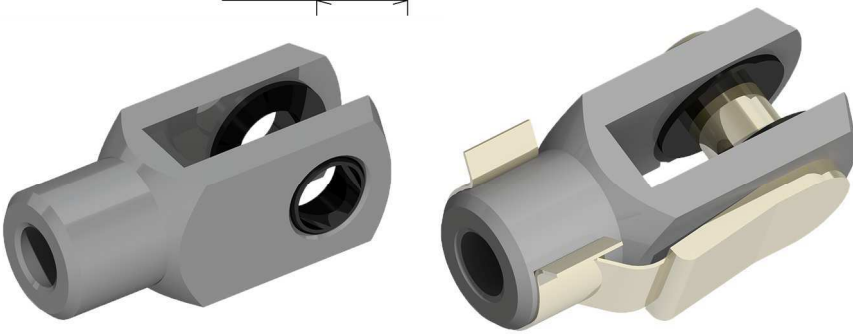


Label: **3G** (with pin = **3H**)

Material: casted zamak, zinc plated + plastic sleeve

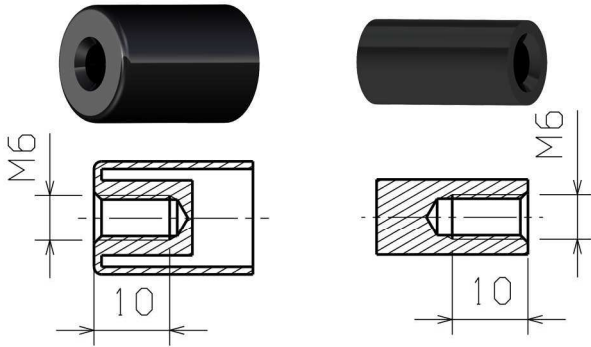


Applicable		
	To tube	To rod
MS06		
MS08		
MS08/23	X	
MS10	X	X
MS10/28	X	X
MS14	X	X
MST08		
MST10	X	X
MSB08		
MSB10	X	
MSB14	X	X
MP10	X	
MP10/28	X	
MKB	X	
MKBN	X	



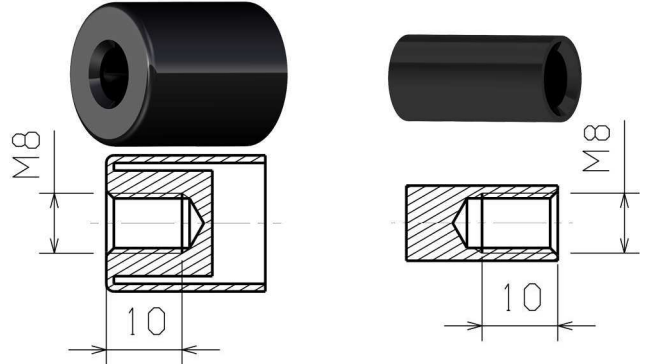
The end fittings listed below are not hold in our stock, but we can purchase or manufacture them by your needs. This makes longer lead time. Please take this into account when you order.

Label: A2



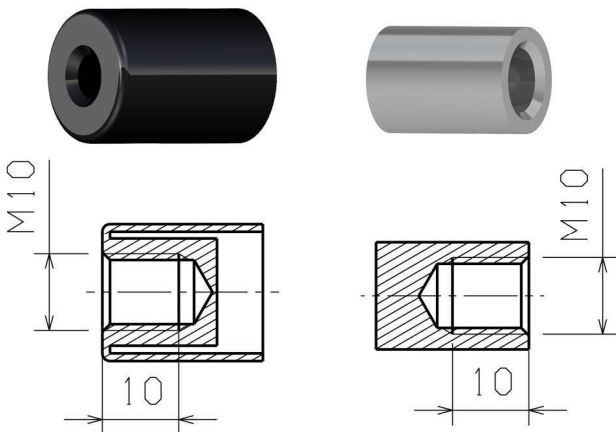
Applicable		
	To tube	To rod
M506	X	
M508	X	X
M508/23		X
M510		X
M510/28		X
M514		X
MST08	X	X
MST10		X
MSB08	X	
MSB10		
MSB14		
MP10		
MP10/28		

Label: B2



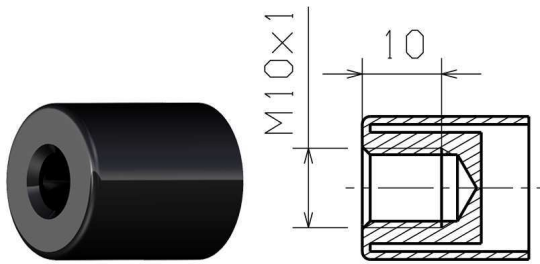
Applicable		
	To tube	To rod
M506		
M508	X	
M508/23	X	
M510	X	X
M510/28	X	X
M514	X	X
MST08	X	
MST10	X	X
MSB08	X	
MSB10	X	
MSB14	X	
MP10	X	
MP10/28	X	

Label: C2



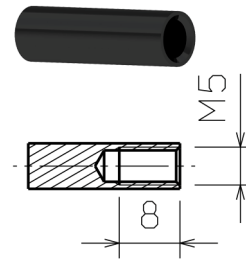
Applicable		
	To tube	To rod
M506		
M508		
M508/23	X	
M510	X	
M510/28	X	
M514	X	X
MST08		
MST10	X	
MSB08		
MSB10	X	
MSB14	X	
MP10	X	
MP10/28	X	

Label: **U2**



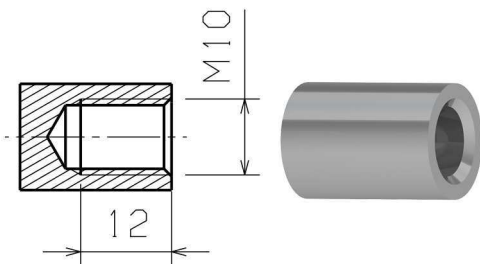
Applicable		
	To tube	To rod
MS06		
MS08		
MS08/23		
MS10		
MS10/28		
MS14		
MST08		
MST10		
MSB08		
MSB10		
MSB14		
MP10	X	
MP10/28	X	

Label: **T2**



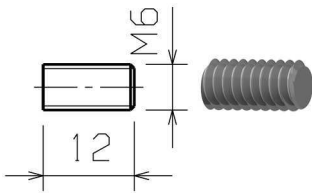
Applicable		
	To tube	To rod
MS06		X
MS08		X
MS08/23		X
MS10		
MS10/28		
MS14		
MST08		X
MST10		
MSB08		
MSB10		
MSB14		
MP10		
MP10/28		

Label: **K2**



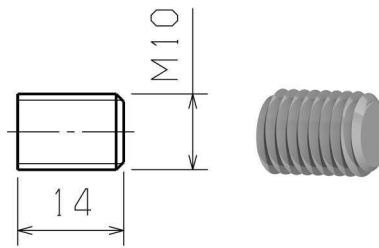
Applicable		
	To tube	To rod
MS06		
MS08		
MS08/23		
MS10		
MS10/28		
MS14		X
MST08		
MST10		
MSB08		
MSB10		
MSB14		
MP10		
MP10/28		

Label: **25**



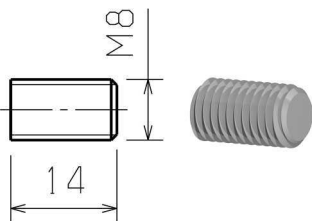
Applicable		
	To tube	To rod
MS06		X
MS08		X
MS08/23		X
MS10		X
MS10/28		X
MS14		X
MST08		X
MST10		X
MSB08		
MSB10		
MSB14		
MP10		
MP10/28		

Label: **2L**



Applicable		
	To tube	To rod
MS06		
MS08		
MS08/23		
MS10		X
MS10/28		X
MS14		X
MST08		
MST10		X
MSB08		
MSB10		
MSB14		
MP10		
MP10/28		

Label: **2I**



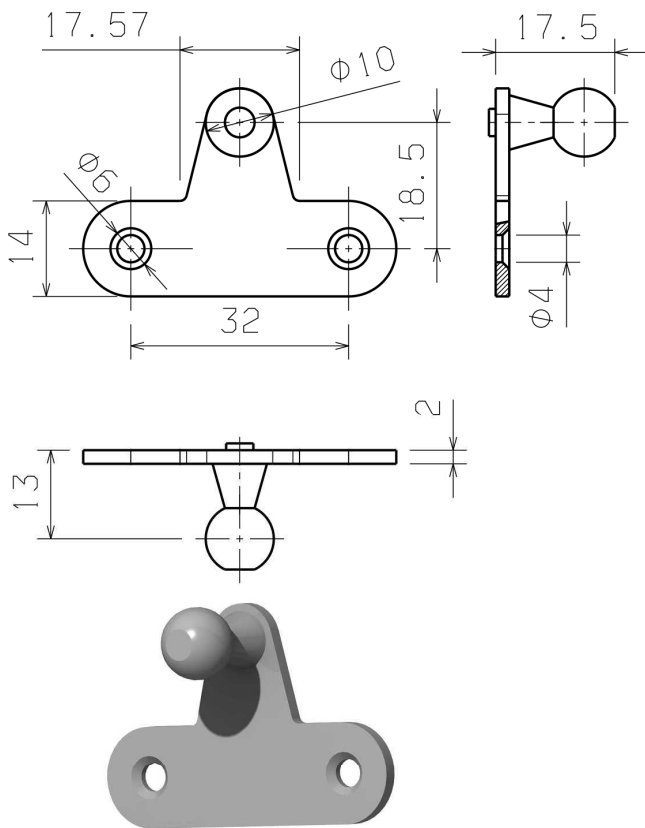
Applicable		
	To tube	To rod
MS06		
MS08		X
MS08/23		X
MS10		X
MS10/28		X
MS14		X
MST08		X
MST10		X
MSB08		
MSB10		
MSB14		
MP10		
MP10/28		

We can prepare different threads to rod end if the rod diameter makes it possible. Please indicate your requirement to discuss.

Bracket for ball cup (straight)

Material: steel, zinc plated

Max. force: 300N



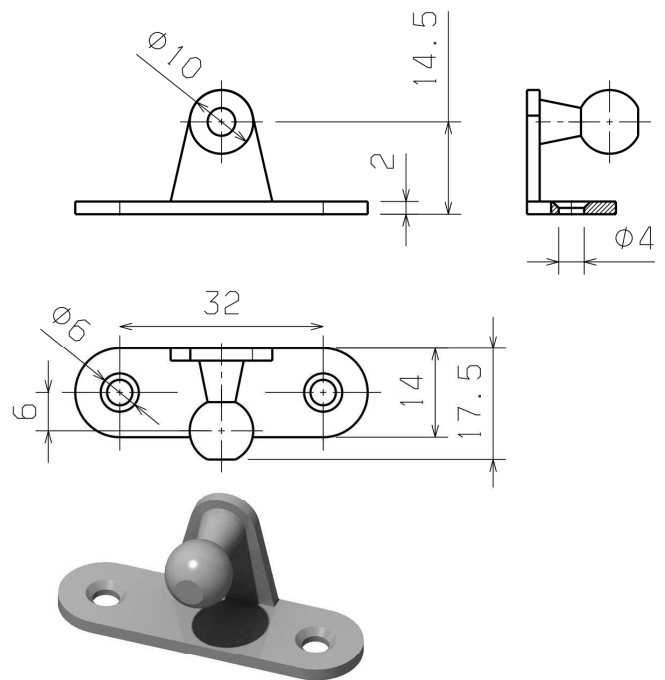
Label:
 With 6K = **9G**
 With 6M = **9I**
 With 6C = **9M**

Applicable:
 See the appropriate ball cup.

Bracket for ball cup (bended)

Material: steel, zinc plated

Max. force: 300N



Label:
 With 6K = **9H**
 With 6M = **9J**
 With 6C = **9N**

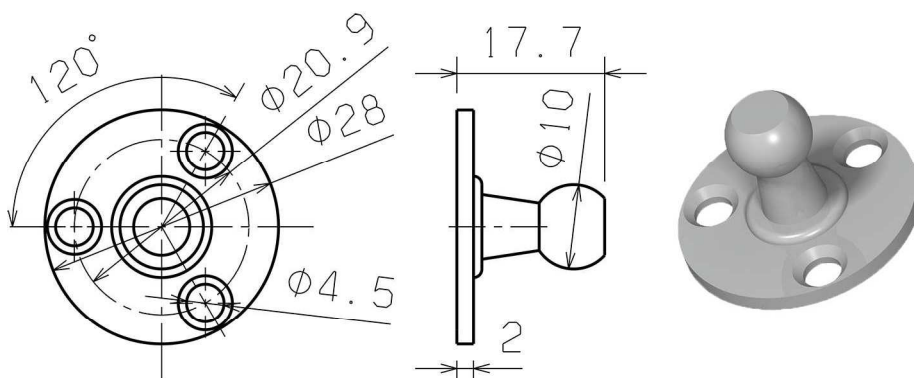
Applicable:
 See the appropriate ball cup.

Bracket for ball cup (circular)

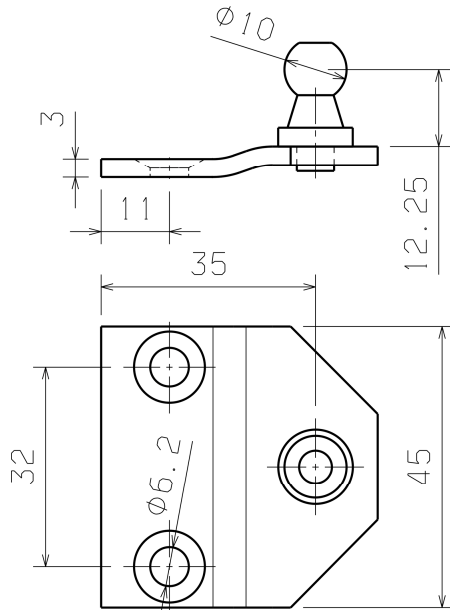
Material: steel, zinc plated

Max. force: 300N

Applicable: with 6K, 6M, 6O, 6C ball cups

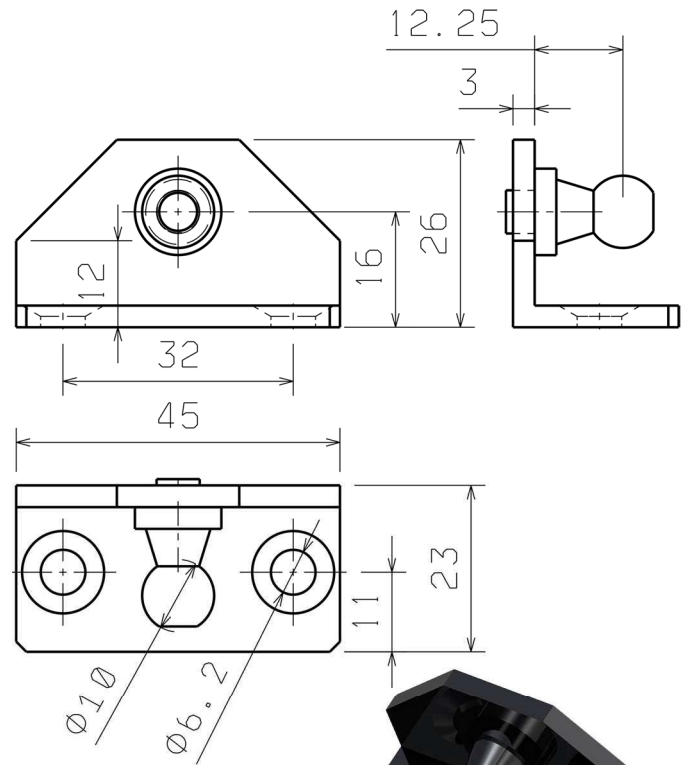


Bracket for ball cup (straight, 3mm)
Material: steel, painted



Applicable: with 60, 6C ball cups

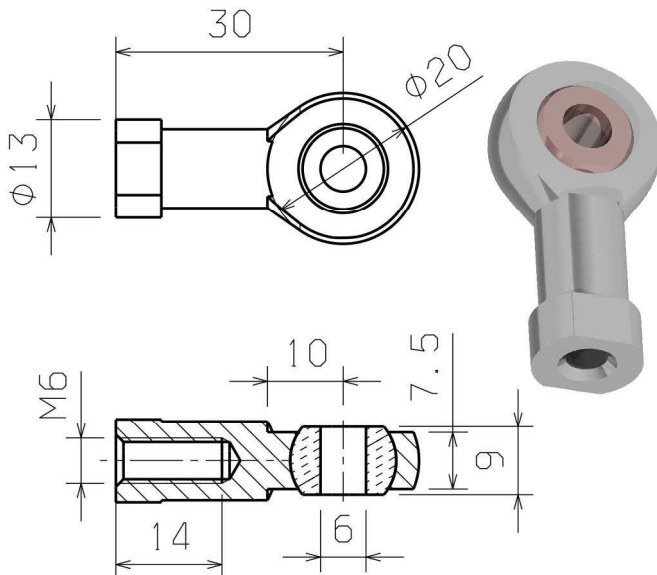
Bracket for ball cup (bended, 3mm)
Material: steel, painted



Applicable: with 60, 6C ball cups

Label: 7A

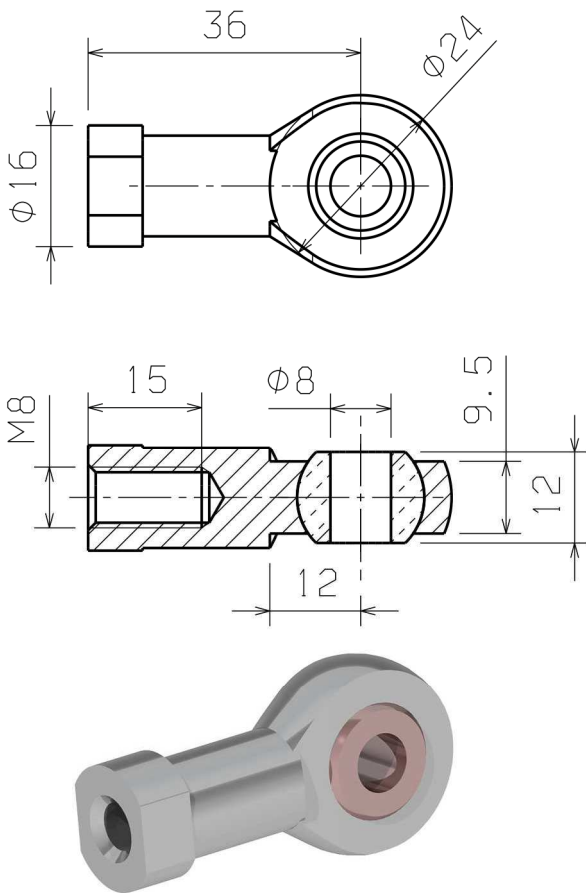
Material: casted zamak + bronze



	Applicable	
	To tube	To rod
M506	X	X
M508	X	X
M508/23	X	X
M510	X	X
M510/28	X	X
M514	X	X
MST08	X	X
MST10	X	X
MSB08	X	X
MSB10	X	X
MSB14	X	X
MP10	X	
MP10/28	X	
MKB		
MKBN		

Label: 7B

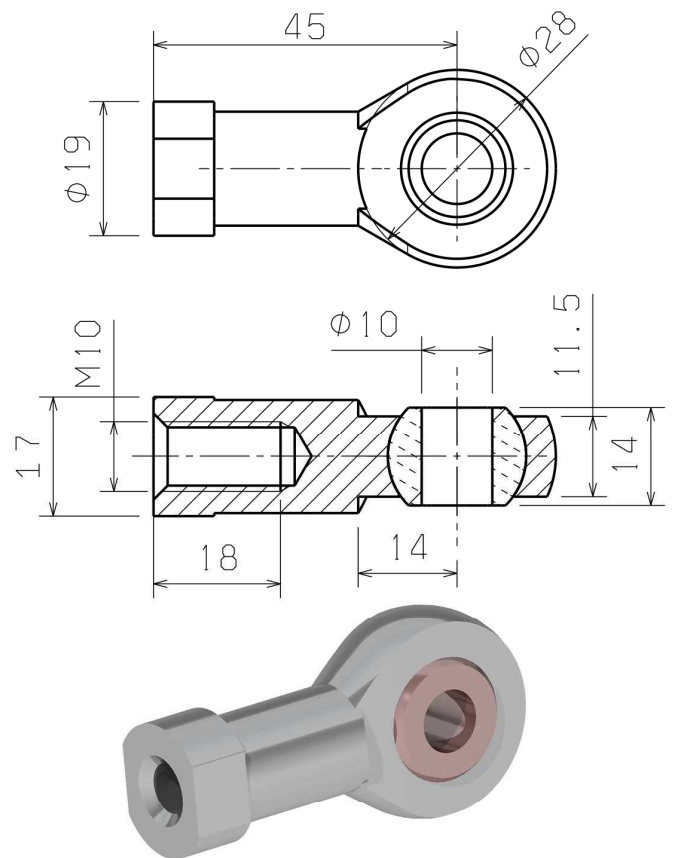
Material: casted zamak + bronze



	Applicable	
	To tube	To rod
M506		
M508	X	X
M508/23	X	X
M510	X	X
M510/28	X	X
M514	X	X
MST08	X	X
MST10	X	X
MSB08	X	
MSB10	X	X
MSB14	X	
MP10	X	
MP10/28	X	
MKB		
MKBN		

Label: 7C

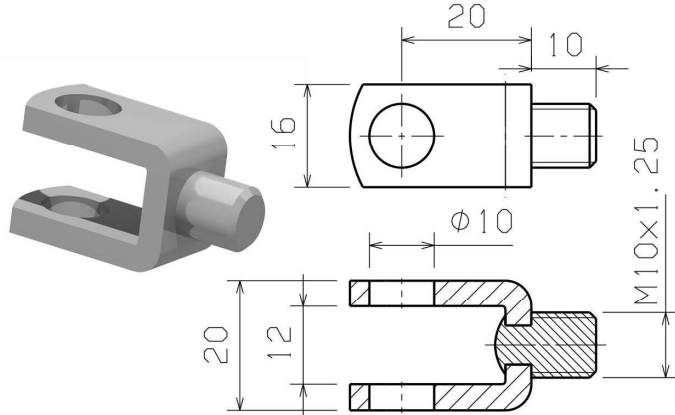
Material: casted zamak + bronze



	Applicable	
	To tube	To rod
M506		
M508		
M508/23	X	
M510	X	X
M510/28	X	X
M514	X	X
MST08		
MST10	X	X
MSB08		
MSB10	X	
MSB14	X	X
MP10	X	
MP10/28	X	
MKB		
MKBN		

Label: 3M

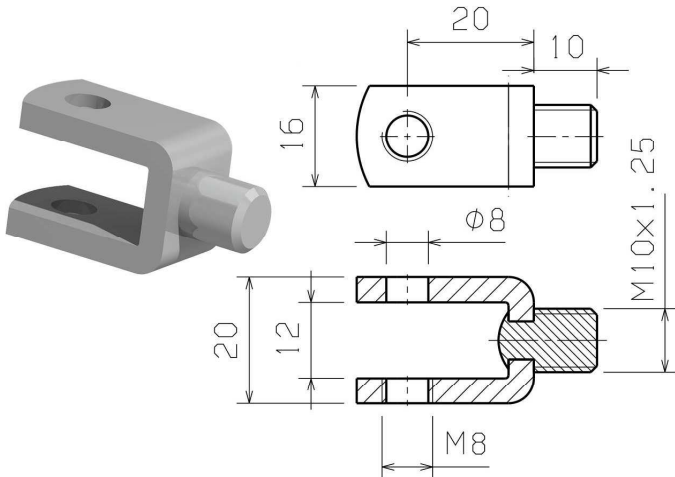
Material: steel, painted or zinc plated



Applicable		
	To tube	To rod
MS06		
MS08		
MS08/23		
MS10		
MS10/28		
MS14		
MST08		
MST10		
MSB08		
MSB10		
MSB14		
MP10	X	
MP10/28	X	
MKB		
MKBN		

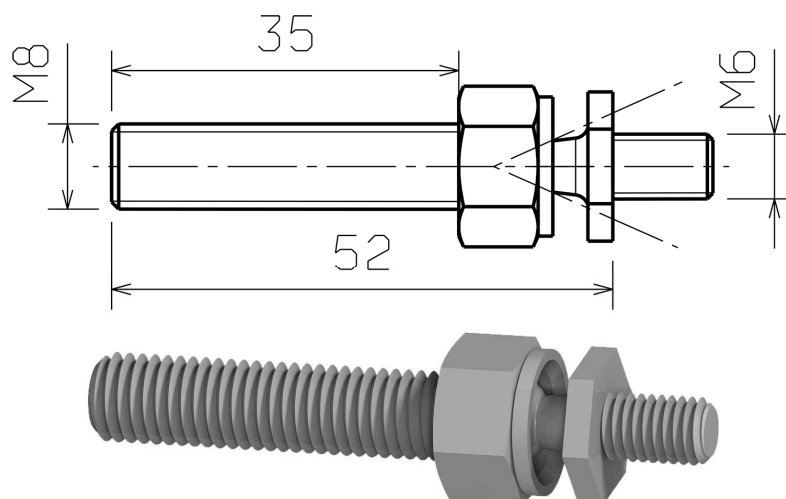
Label: 3N

Material: steel, painted or zinc plated



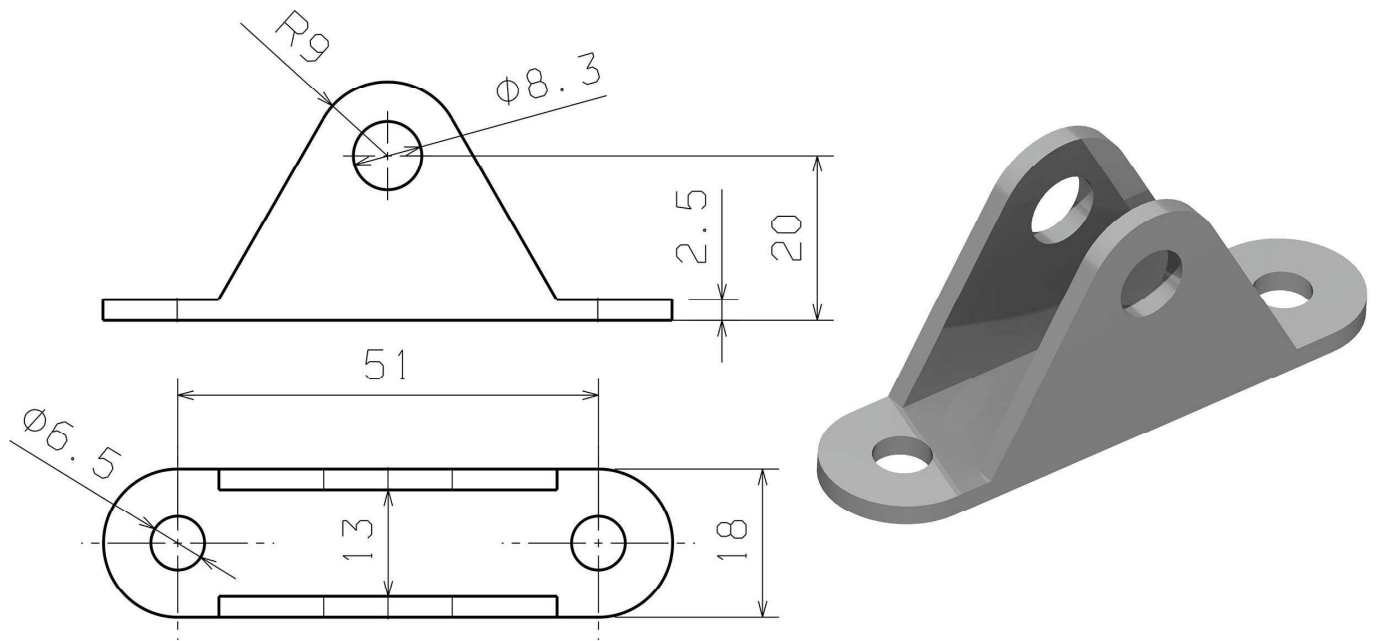
Applicable		
	To tube	To rod
MS06		
MS08		
MS08/23		
MS10		
MS10/28		
MS14		
MST08		
MST10		
MSB08		
MSB10		
MSB14		
MP10	X	
MP10/28	X	
MKB		
MKBN		

Label: 6G (inline ball joint)



Applicable		
	To tube	To rod
MS06		
MS08		
MS08/23		
MS10		
MS10/28		
MS14		
MST08		
MST10		
MSB08		
MSB10		
MSB14		
MP10	X	
MP10/28	X	
MKB		
MKBN		

U bracket



The bracket contains M8 bolt with self-locking nut.